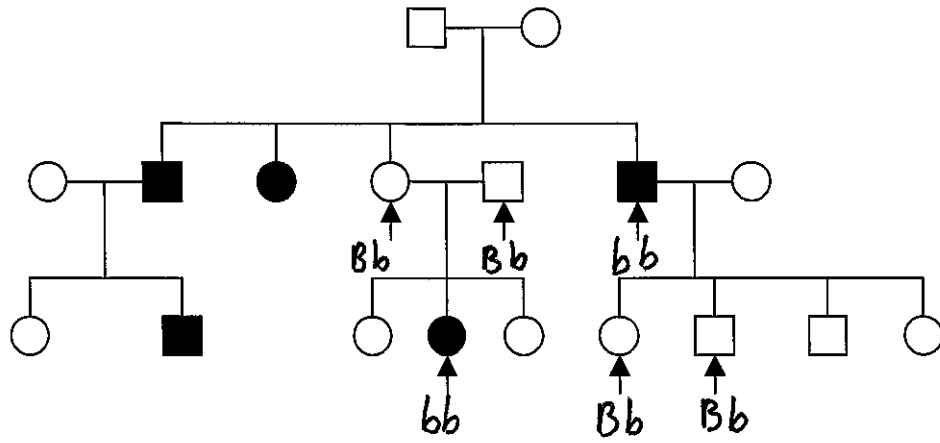


Practice Pedigree Charts

Key

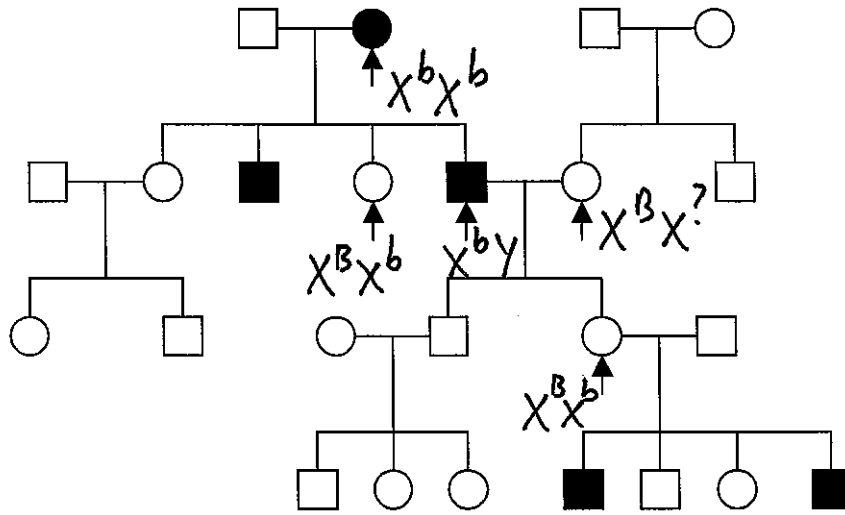
1)

Auto-Rec.
b - bad
B - good



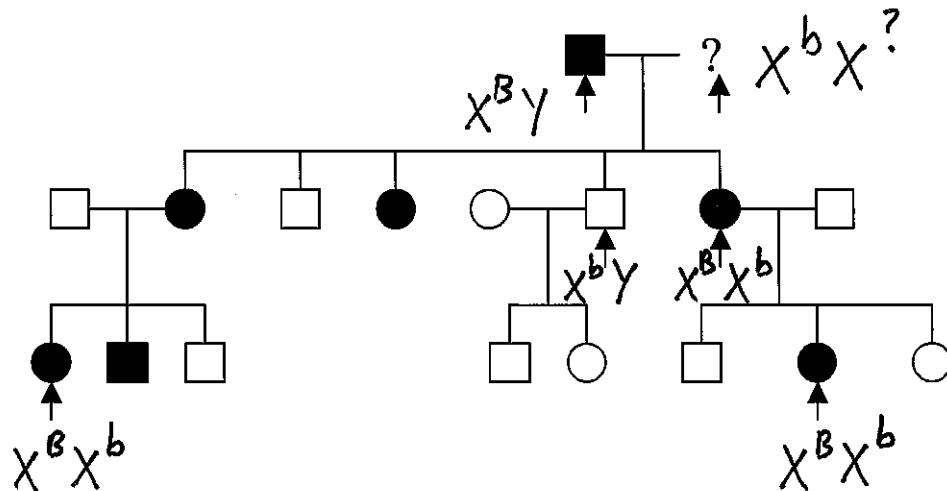
2)

X-Rec.
 X^b - bad
 X^B - good



3)

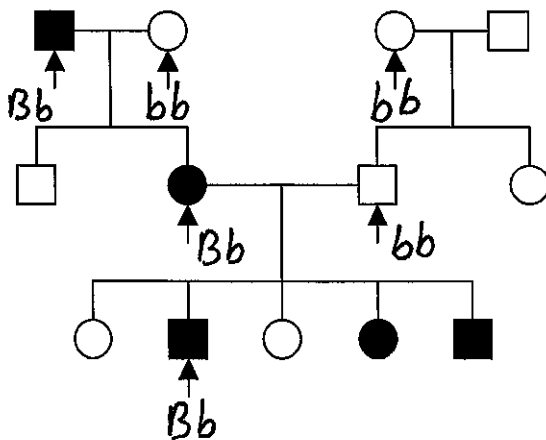
X-Dom
 X^B - bad
 X^b - good



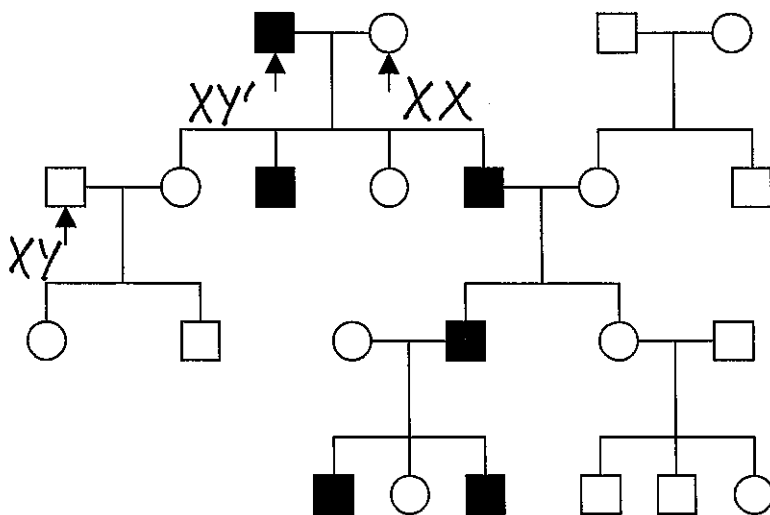
Key

Practice Pedigree Charts

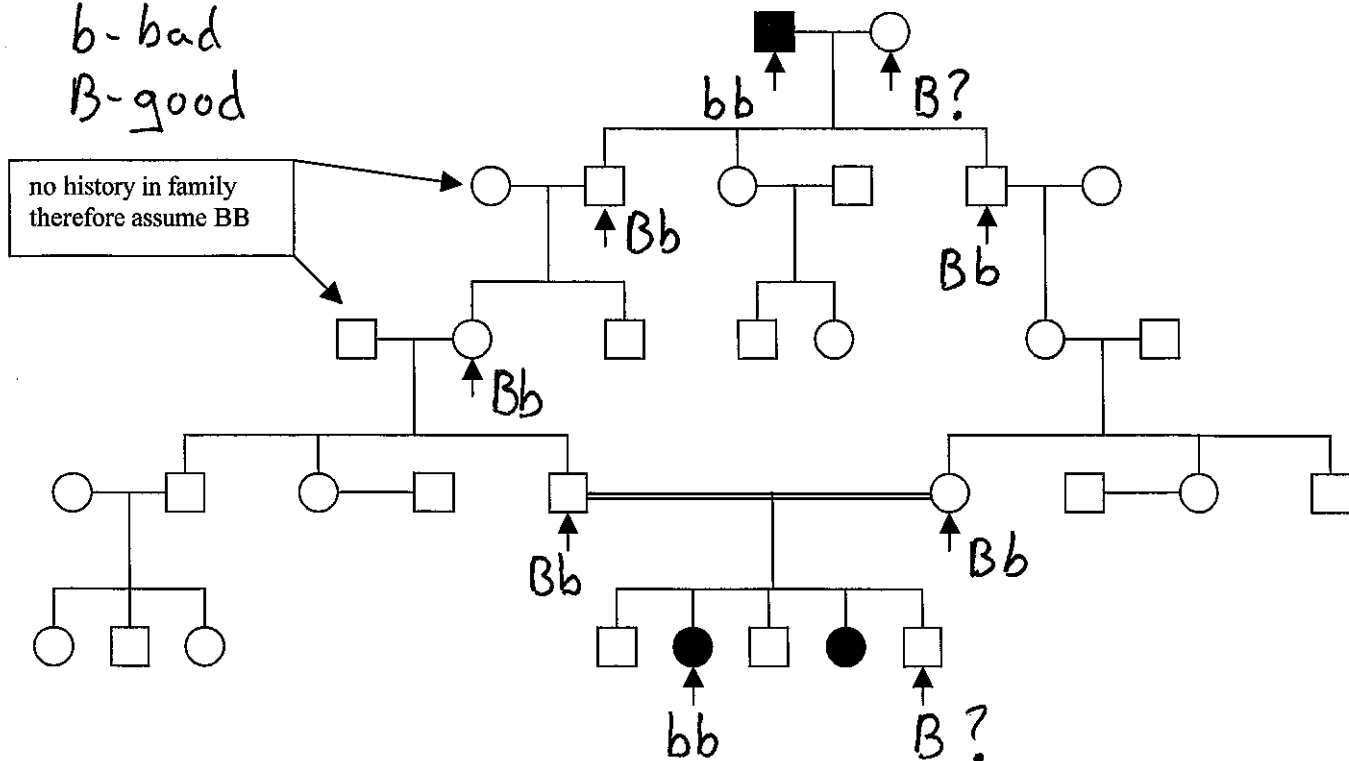
4.
Auto-Dom
B - bad
b - good



5.
Holandric
 Y' - bad
 Y - good



6.
Auto-Rec
b - bad
B - good



X-Dom
 $X^B = \text{bad}$

Auto-Rec
 $b = \text{bad}$

